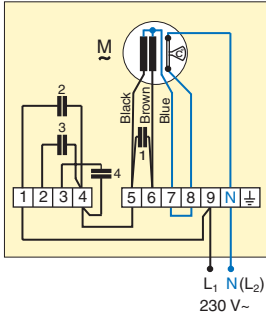


**WIRING DIAGRAMS SW12 AND SW22**

**Preset fan speed, no regulation**

Connected for low speed, fan position 1

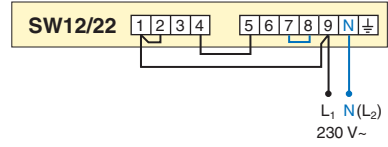


Capacitors in SW

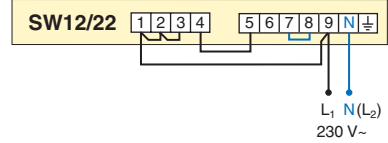
SW12				SW22			
1	2	3	4	1	2	3	4
4µF	8µF	2µF	2µF	8µF	16 µF	1µF	3µF



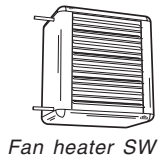
Connected for medium speed, fan position 2



Connected for high speed, fan position 3



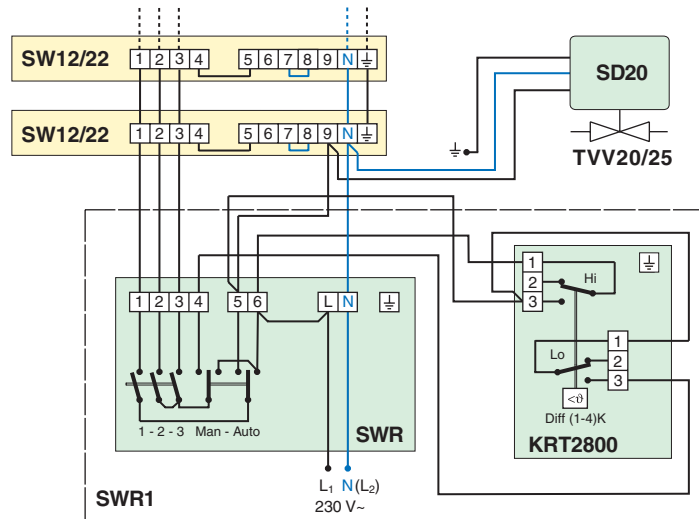
**Automatic temperature regulation SWR1**



Fan heater SW



SWR,  
3-stage change-over  
switch for control of air  
flow



SD20, actuator  
on/off, 230V~



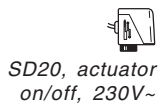
TVV20/25,  
2-way valve



KRT2800,  
2-stage thermostat

Fan heaters

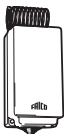
**Thermostat KRT1900 (IP55) and 3-stage change-over switch SWR2**



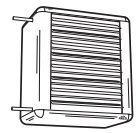
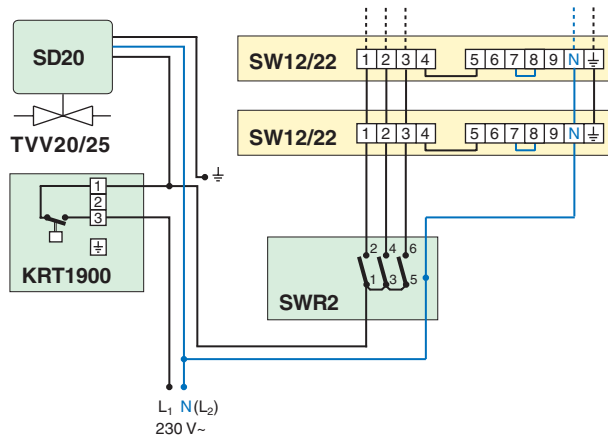
SD20, actuator  
on/off, 230V~



TVV20/25,  
2-way valve



KRT1900,  
capillary  
tube  
thermostat



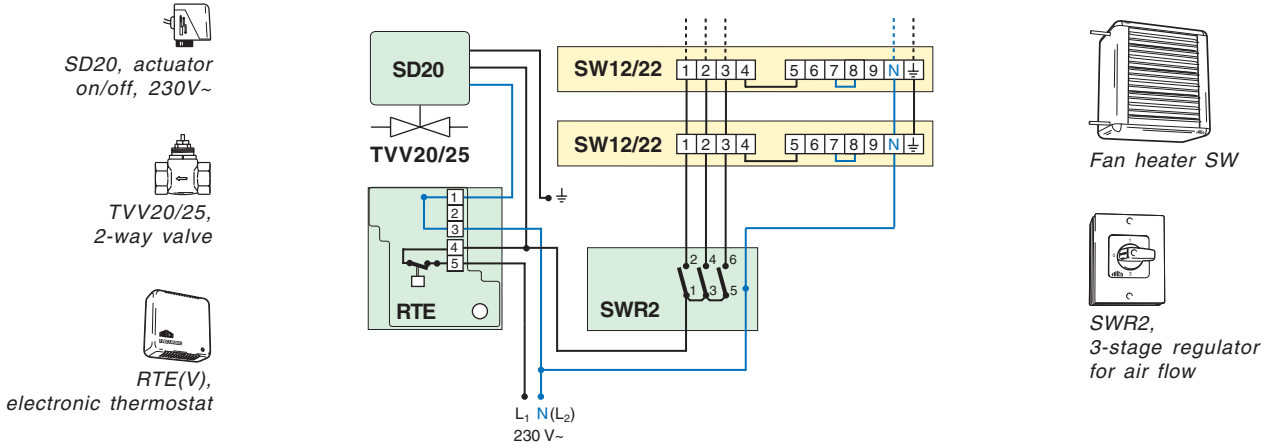
Fan heater SW



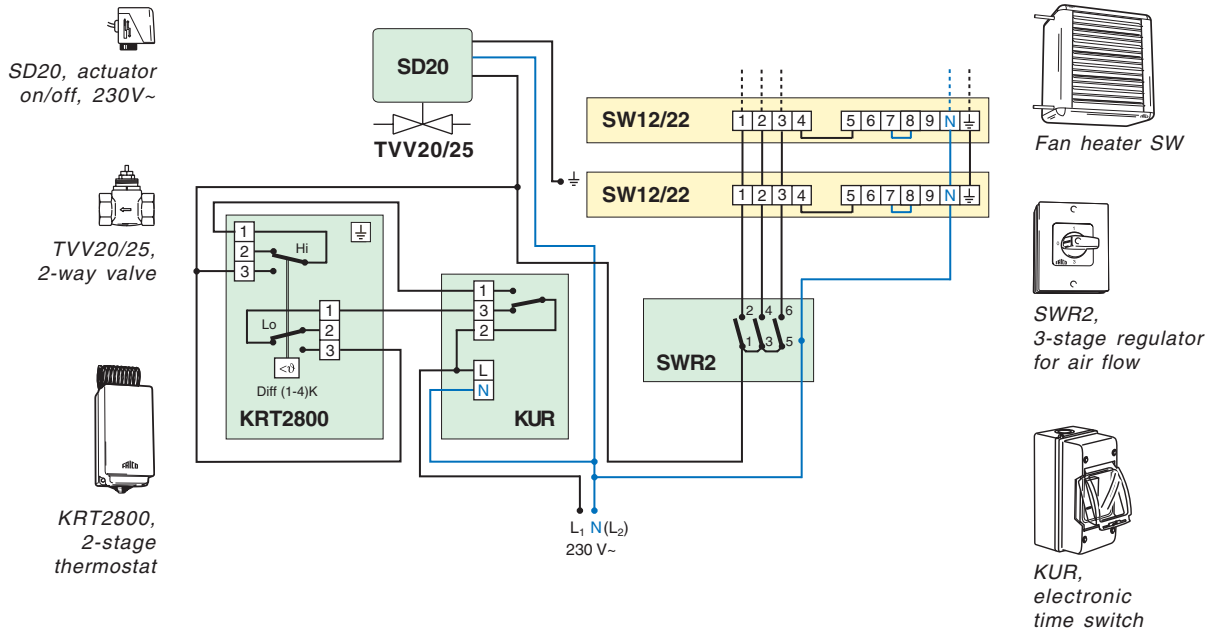
SWR2,  
3-stage change-over  
switch for control of air  
flow

**WIRING DIAGRAMS SW12 AND SW22**

**Thermostat RTE(V) (IP30) and 3-stage regulator SWR2**

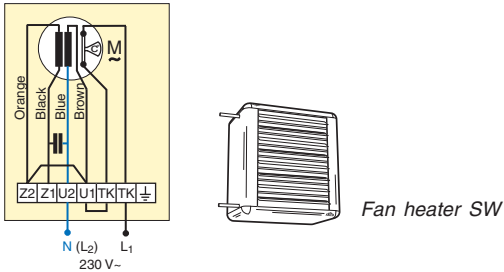


**3-stage regulator SWR2 and economy saving with electronic time switch KUR**

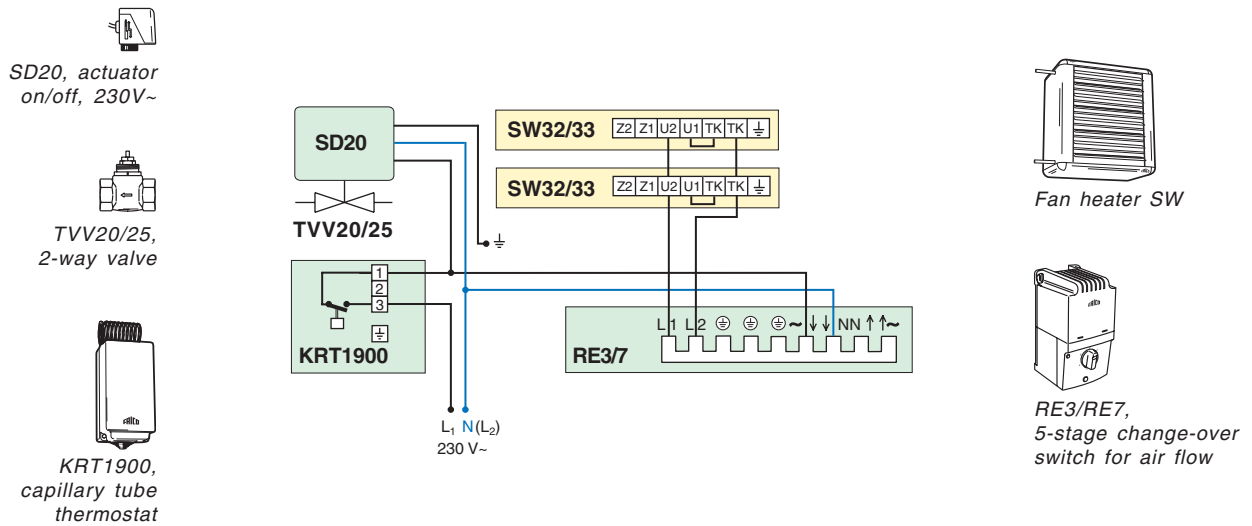


**WIRING DIAGRAMS SW32 AND SW33**

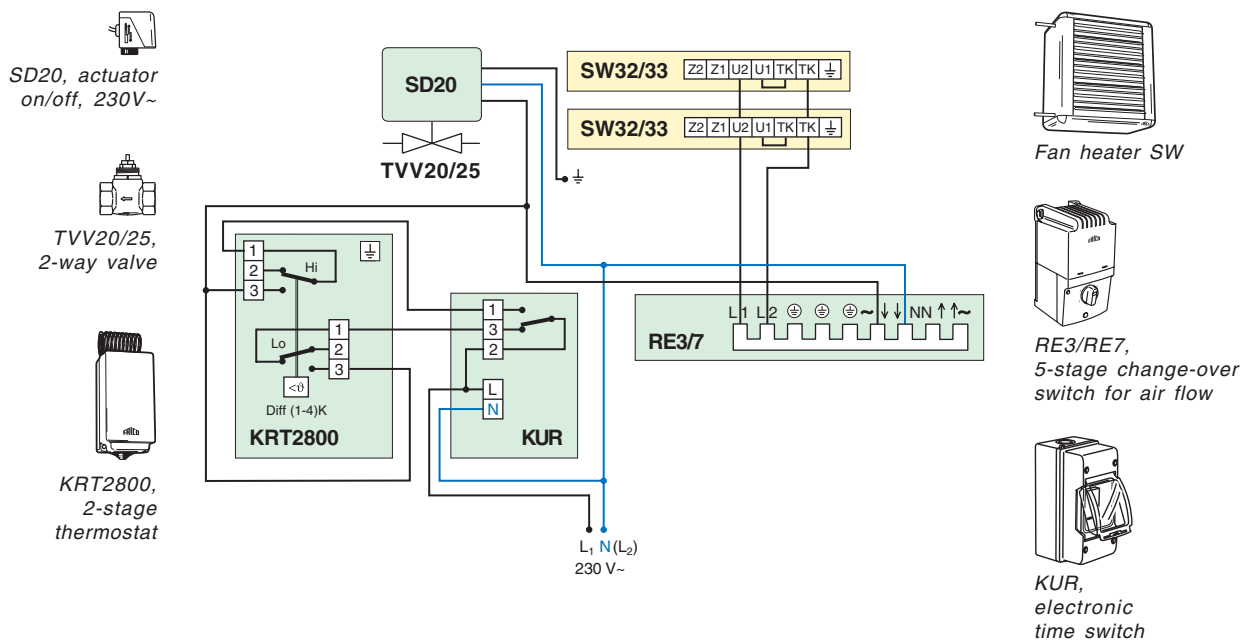
*Preset fan speed, no regulation*



*Thermostat KRT1900 (IP55) and 5-stage regulator RE3 or RE7*



*5-stage regulator RE3 or RE7 and economy saving with electronic time switch KUR*



Fan heaters