



⚡ 6–15 kW Electrical heat

5 models 

Fan heater Panther 6-15

Efficient fan heater for medium size premises

Application

Panther 6-15 is a range of very quiet and efficient fan heaters for stationary use. They are intended for heating, drying and ventilation in e.g. workshops, sport halls, shops, assembly rooms and drying rooms. The mixing cabinet (accessory) allows heating and ventilation to be combined, through mixing the return air and outdoor air.

Comfort

Frico's fan heaters are extremely quiet and quickly provide comfortable heating. Fan heater Panther is delivered with adjustable wall mounting brackets which makes it possible to direct the airflow where it is required.

Operation and economy

Frico's fan heaters have a long life and providing fast and effective heating at a low cost. Simple installation and a minimum of maintenance also reduce costs and the risk of faults.

Design

The Panther fan heater has a classic clean design in white enamelled sheet steel.

Product specifications

- Low sound level.
- Supplied with wall bracket that makes it possible to direct the airflow down and to the side.
- SE135 can be connected to both 440V3~ and 500V3~.
- Time delay between the output steps.
- Integrated thermostat with setting range +5 – +35 °C, possibility to connect an external thermostat.
- Wide range of controls and accessories.
- External control panel PP15 (ordered separately) with master/slave function, for up to six units gives good and simple control.
- Mixing cabinet, that combines heating and ventilation, is available as an accessory.
- The Panther fan heater is also available in outputs 20-30 kW, see the separate chapter.
- Corrosion proof housing made of hot zinc-plate and powder enameled steel panels.
Colour: RAL 9016, NCS 0500 (white).

Fan Heater Panther 6-15



Panther is delivered with adjustable wall mounting brackets which make it possible to direct the air flow for optimal heat distribution.



Mixing cabinets, available as an accessory, combine heating and ventilation. The mixing cabinet saves energy by mixing return air with fresh air in individually preset proportions.



Fan heaters are usually the least expensive option to permanently heat premises. They give a very high output per invested pound (W/£) and at the same time are easy to install. The Panther fan heater is the perfect choice to heat stores.

Fan Heater Panther 6-15

Technical specifications | Fan Heater Panther 6-15 kW ⚡

Type	Output steps [kW]	Airflow [m³/h]	Sound level*1 [dB(A)]	Δt*2 [°C]	Voltage [V]	Amperage [A]	HxWxD [mm]	Weight [kg]
SE06	0/3/6	900/1300	39/47	20/14	400V3N~	8.7	520x450x510	21
SE09	0/4.5/9	900/1300	39/47	30/21	400V3N~	13	520x450x510	22
SE12	0/6/12	900/1300	39/47	40/28	400V3N~	17.3	520x450x510	22
SE15	0/7.5/15	900/1300	39/47	50/35	400V3N~	21.7	520x450x510	22
SE135 (convertible)	0/5/10 0/7/13.5	900/1300	39/47	34/23 45/31	440V3~*3 500V3~	13.4 15.6	520x450x510	23

*1) Conditions: Distance to the unit 3 metres. Directional factor: 2. Equivalent absorption area: 200 m².

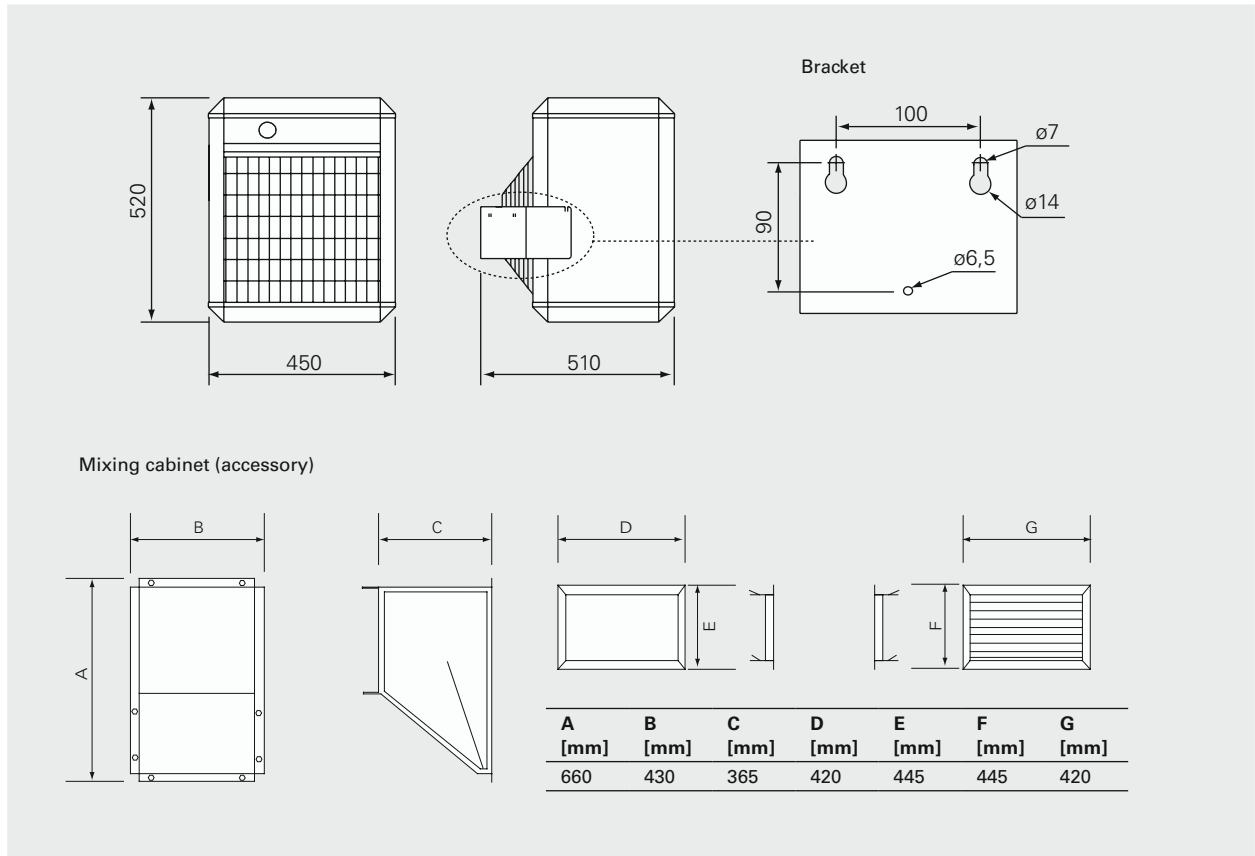
*2) Δt = temperature rise of passing air at maximum heat output at lowest/highest airflow.

*3) Can be connected to 440V3~ and 500V3~.

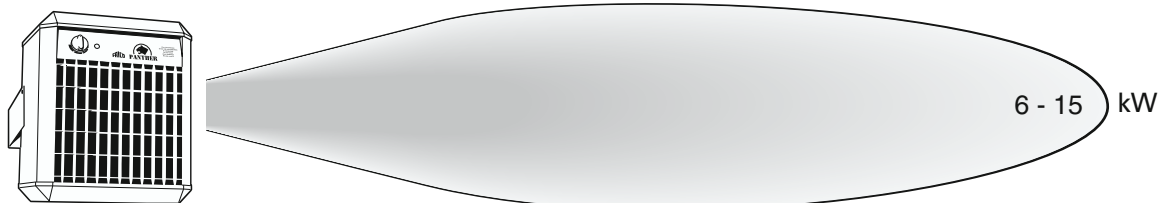
Protection class: IP44.

CE compliant.

Dimensions



Air throw



1 2 3 4 5 6 7 8 9 10 11 12 13 14 15 16 [m]

Mounting and connection

Mounting

The Panther fan heater is mounted on the wall with a wall bracket making it possible to direct the airflow down and to the side. For minimum dimensions with permanent installation, see diagram 1.

Installation with mixing cabinet

Mixing cabinet PBS is available as an accessory and consists of an outer wall grille and a walling-in frame. The walling-in frame and outer wall grille are built or screwed to the wall. The mixing cabinet and the unit are then fitted. See diagram 2. The hand controller (PHR01, accessory) consists of a lever, a wall bracket, a control ball and two associated joints. A pull-rod is used between the joints (not included).

Electrical installation

The Panther fan heater is intended for permanent installation. Supply voltage is 400V3N~. Panther must be supplemented with control panel PP15. The knockouts at the rear of the unit are used to connect accessories. SE135 can be connected to both 440V3~ and 500V3~.

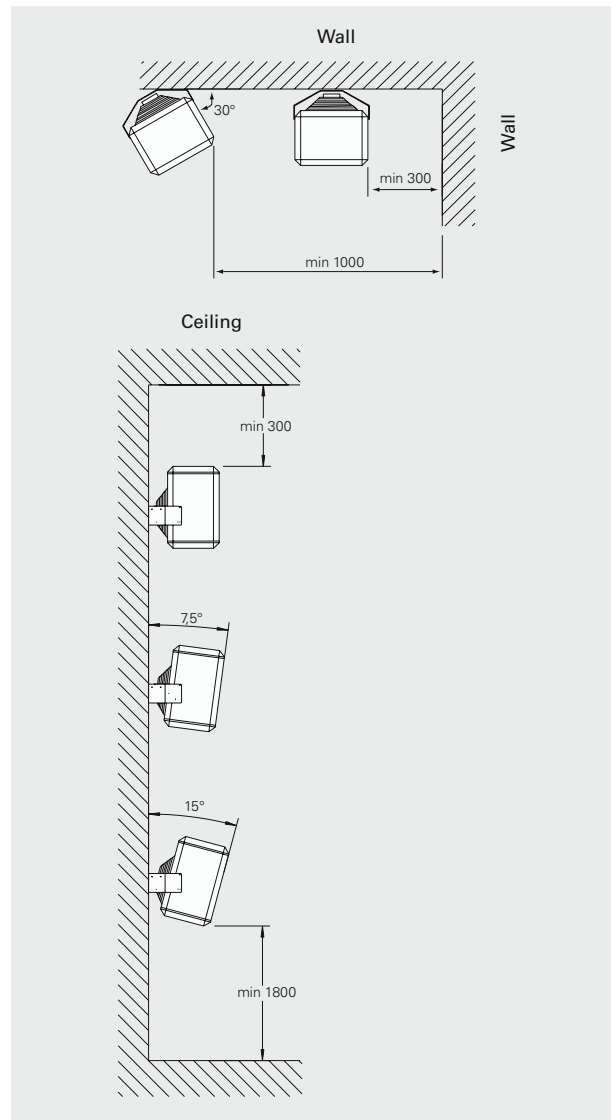


Fig. 1: Minimum distance for fixed installation.

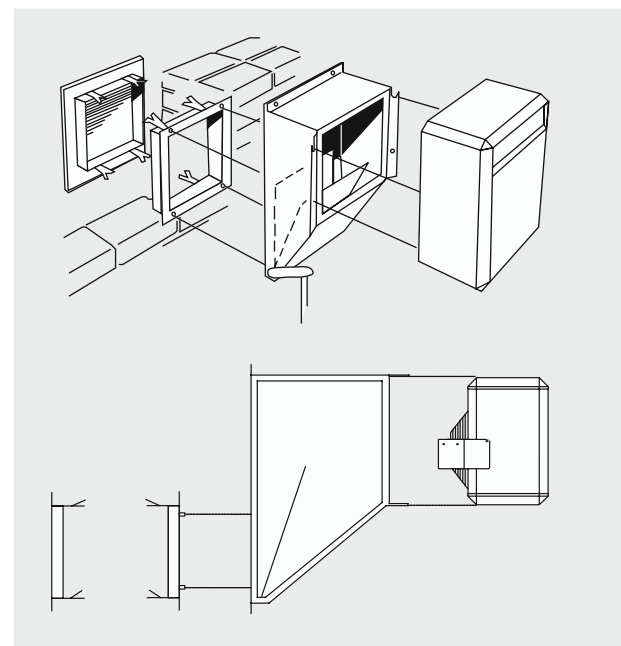


Fig. 2: Cutaway view of Panther with mixing cabinet.

Fan Heater Panther 6-15

Control options

Fan speed and thermostat control

Panther 6–15 kW is supplied with integrated thermostat (+5 – +35 °C), but can also be controlled using an external two-step thermostat. Selection of the operating mode is done using the external control panel. Delay relays between the output groups prevent simultaneous connection.

- RTI2, electronic 2-step thermostat, IP44
- KRT2800, 2-step capillary tube thermostat, IP55
- PP15, control panel, controls up to six units

Automatic temperature control

The heat can be decreased according to demand, for example at night or weekends. Switches between day and night mode.

- PTA01, automatic temperature control

Control of mixing cabinet

The mixing cabinet combines heating and ventilation by mixing return air with fresh air in appropriate proportions. Damper control is ordered separately.

- PHR01, control lever, manual damper control
- PSA01, automatic damper- and temperature control
- PSM01, damper motor, is used in combination with PSA01 when several mixing cabinets should be controlled.

Controls and accessories

RTI2, electronic 2-step thermostat

Processor controlled 2-step thermostat with concealed dial. Setting range +5 – +35 °C. Connection voltage 230 V (two potential free contacts). Max. breaking current: 16/10 A (230/400 V). IP44.

KRT2800, 2-step capillary tube thermostat

2-step capillary tube thermostat with concealed dial. Setting range 0 – +40 °C. Max. breaking current: 16/10 A (230/400 V). IP55.

PP15, control box

The desired output and fan speed can be set on the control box. Up to 6 units can be controlled by one control box. Protection class: IP44.

PTA01, automatic temperature control

PTA01 can be used to lower the heat when necessary (1–10°C), for example at night or weekends. The control consists of an electronic timer and thermostat with an external sensor. The timer alternates between day and night mode. Protection class: IP55.

PHR01, control lever for mixing cabinet

Used with the mixing cabinet, if you wish to control the damper manually. The pull-rod (not included) for the lever should have a diameter of 8 mm.

PSA01, automatic damper and temperature regulator

Used on the mixing cabinet. Lowers the temperature and reduces the amount of outdoor air during periods with a low requirement. Consists of timer (weekly timer), thermostat with external sensor, potentiometer and damper motor. Exhaust air fans can possibly be controlled from the automatic system. One damper motor (PSM01) included. IP55.

PSM01, damper motor

Used in combination with PSA01 when several mixing cabinets should be controlled. (1 damper motor is included in PSA01.) Protection class: IP54.

For further options, see section on thermostats and controls or contact Frico.

PBS01, mixing cabinet

Saves energy by mixing return air with fresh air in preset proportions. The mixing cabinet is delivered with a wall frame and outer wall grille. Read more under "Mounting and connection".

PLR15, air director

The air director directs the airflow vertically or laterally. PLR is snapped on the front of the heater. Torsional (turning) angle 0–35°.

PFF15, exhaust air fan

Can be used with fan heater/mixing cabinet to obtain good ventilation. Airflow approx. 1400 m³/h. Protection class: IP54.

PTRP, drying room kit

Consists of exhaust air fan TTF140 with flexi hose and connection sleeve, thermostat KRT1900 and timer CBT. The exhaust air fan works alternately with, for example, a fan heater, which gives the shortest possible drying time and minimal energy consumption. Supplemented with a fan heater from the Panther range with output 6-12 kW.

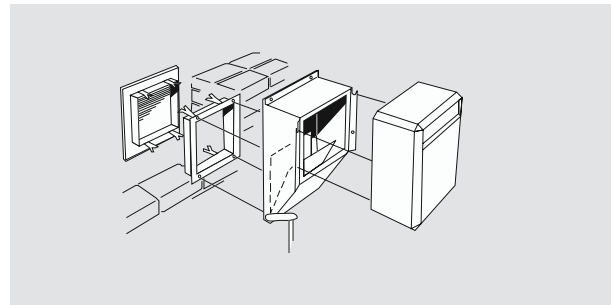


Fig. 3: Mixing cabinet PBS01 with Panther.

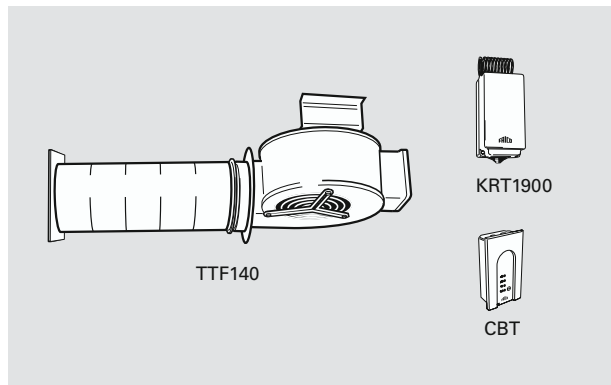
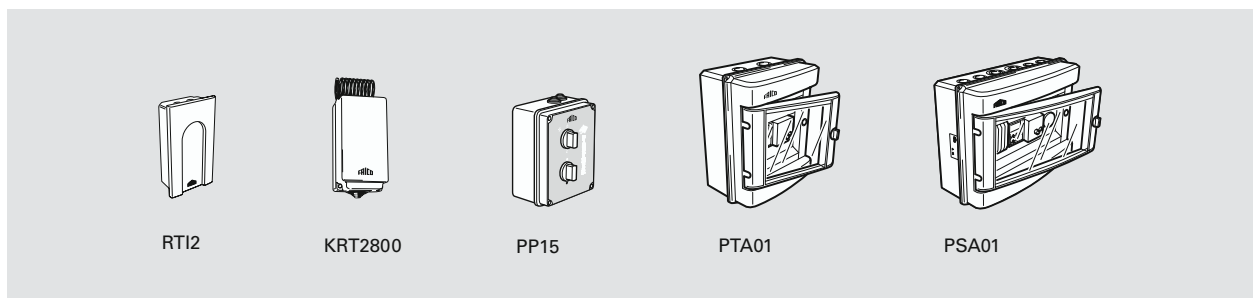


Fig. 4: Drying room kit PTRP.



Type	Description	HxWxD [mm]
RTI2	Electronic 2-step thermostat	155x87x43
KRT2800	2-step capillary tube thermostat	165x60x57
PP15	Control box for SE06 – SE15	160x120x96
PTA01	Automatic temperature control	185x215x115
PBS01	Mixing cabinet for SE06 – SE15	660x430x365
PHR01	Control lever	
PSA01	Automatic damper and temperature control	305x215x115
PSM01	Damper motor	180x100x70
PLR15	Air director for SE06 – SE15	355x355x60
PFF15	Exhaust air fan for SE06 – SE15	
PTRP	Drying room kit without fan heater	

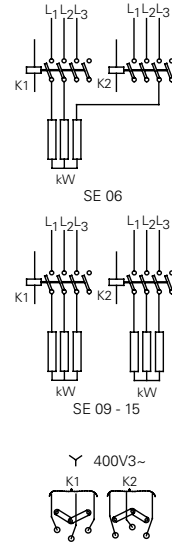
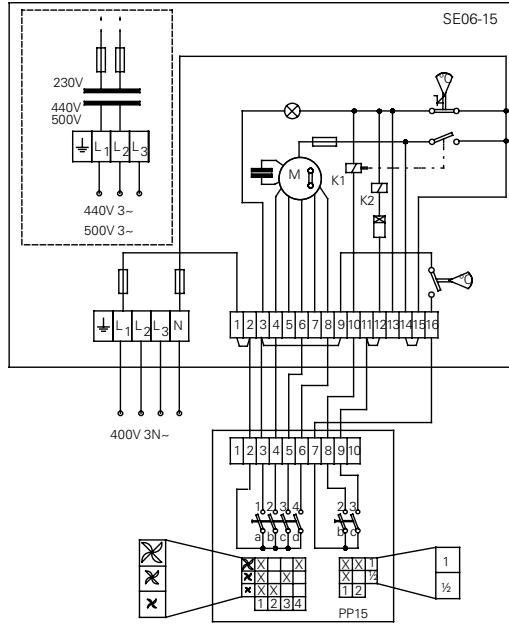
Fan Heater Panther 6-15

Wiring diagrams

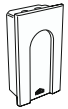
Fan speed and thermostat control



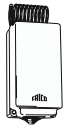
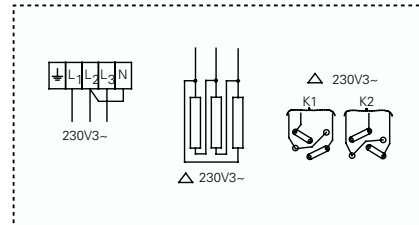
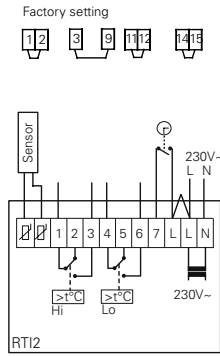
Panther 6-15 kW



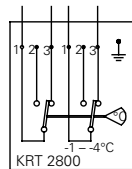
PP15,
control box



RTI2,
electronic 2-step
thermostat

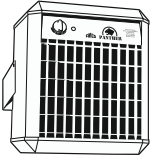


KRT2800,
2-step thermostat



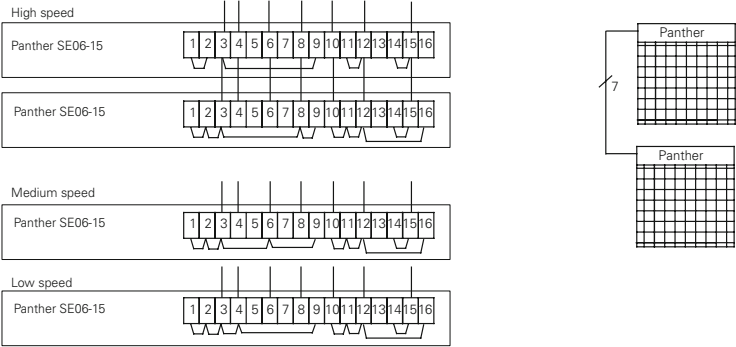
Wiring diagrams

Wiring of accessories to Panther 6-15



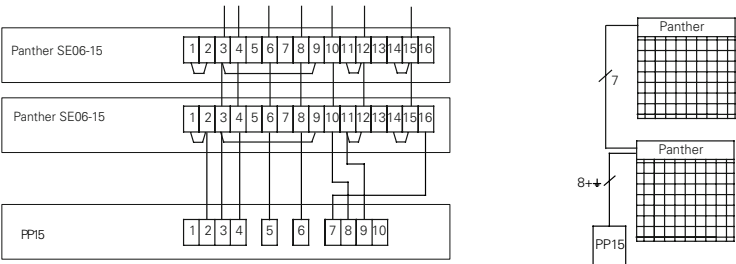
Panther 6-15 kW

Note! Remove the two internal fuses in the slave unit(s).



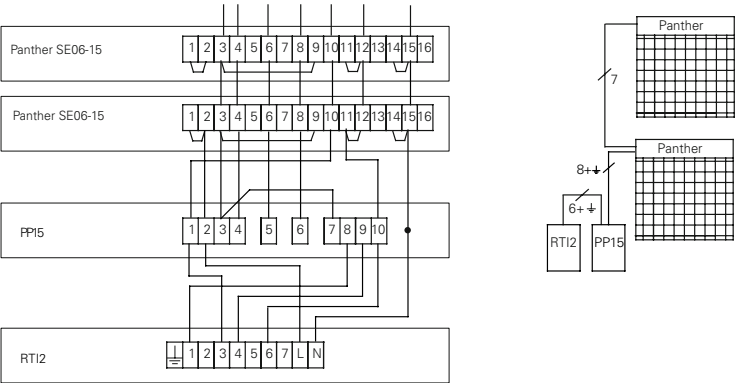
PP15, control box

Note! Remove the two internal fuses in the slave unit(s).



RTI2, electronic 2-step thermostat

Note! Remove the two internal fuses in the slave unit(s).



KRT2800, 2-step thermostat

Note! Remove the two internal fuses in the slave unit(s).

